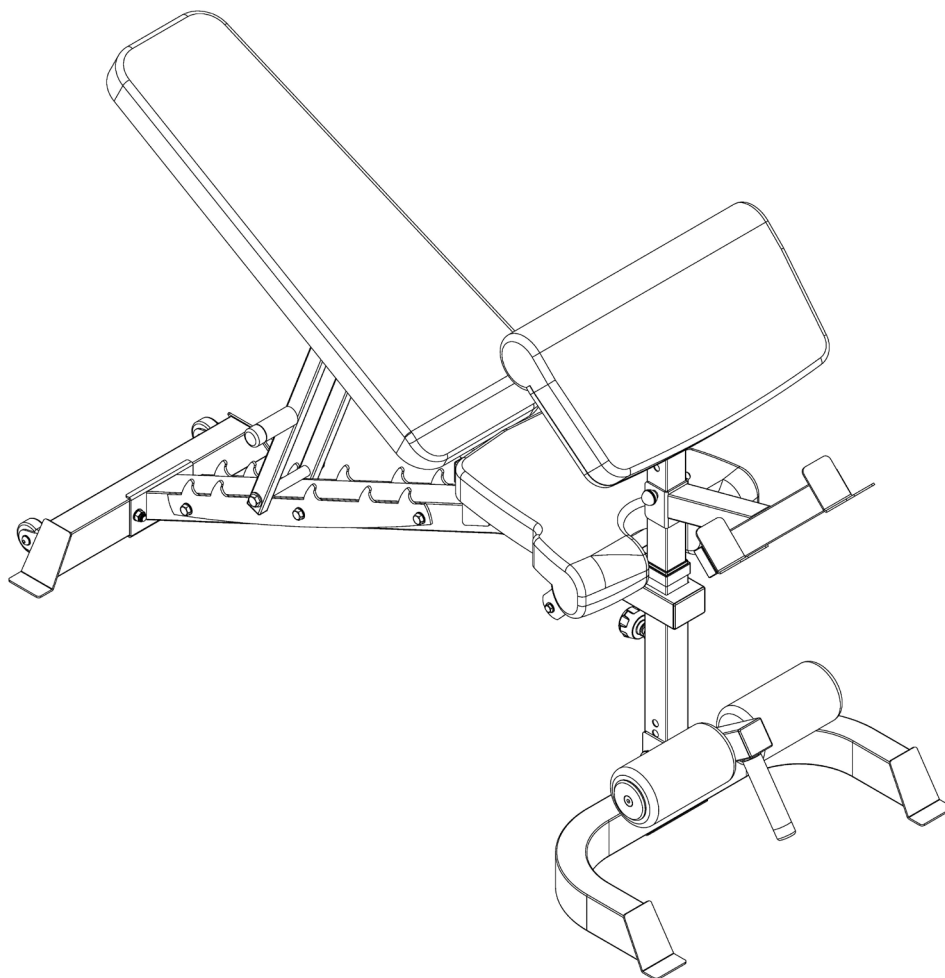


MARCY[®]

DELUXE UTILITY BENCH

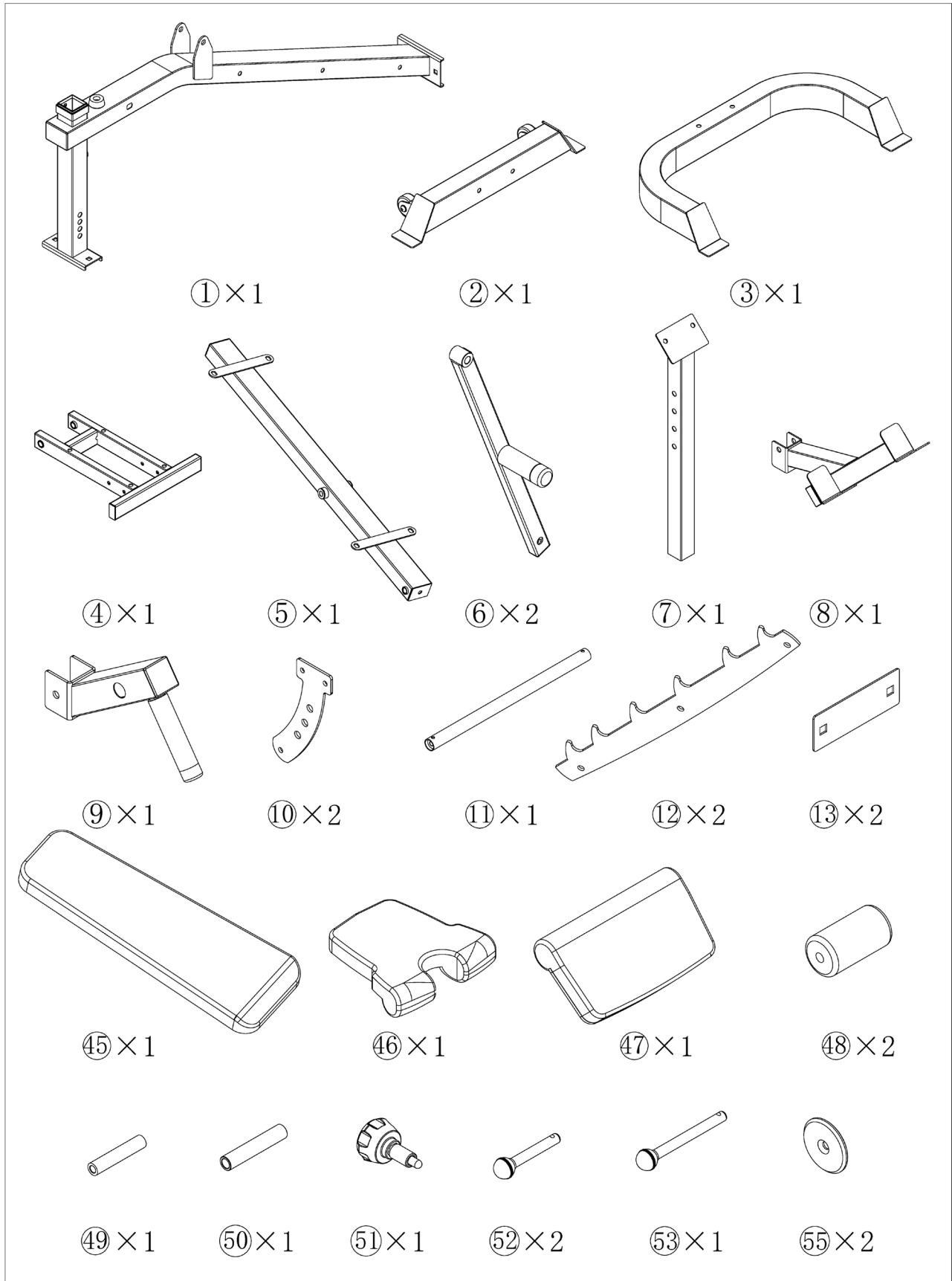
SB-5931

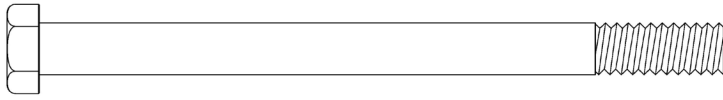


IMPORTANT: Please read the Important Safety Notice and Assembly Information in the Owner's manual before assembling this product.

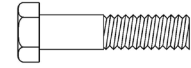
Assembly Manual

190424

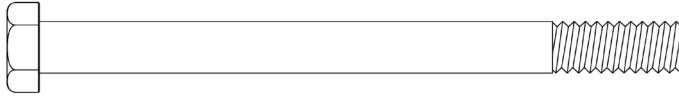




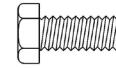
⑭×1



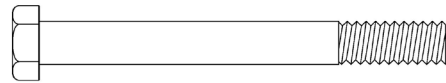
⑳×4



⑮×2



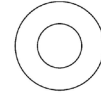
㉑×6



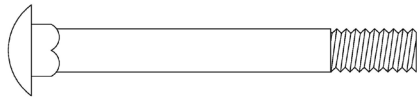
⑯×3



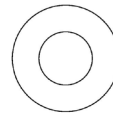
㉓×20



㉔×10



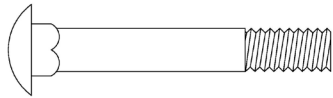
⑰×2



㉕×6



㉖×5



⑱×2



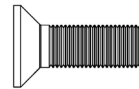
㉗×7



㉘×3



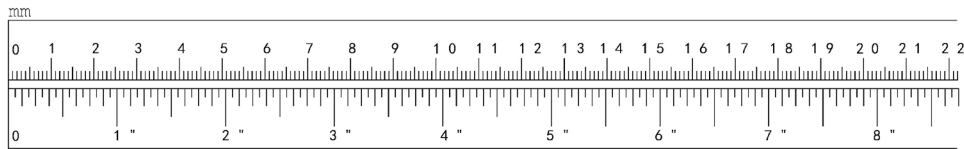
⑲×1





㉙×2



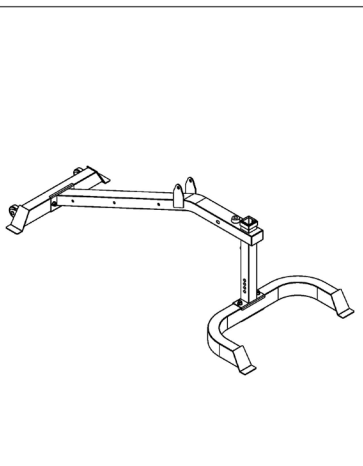
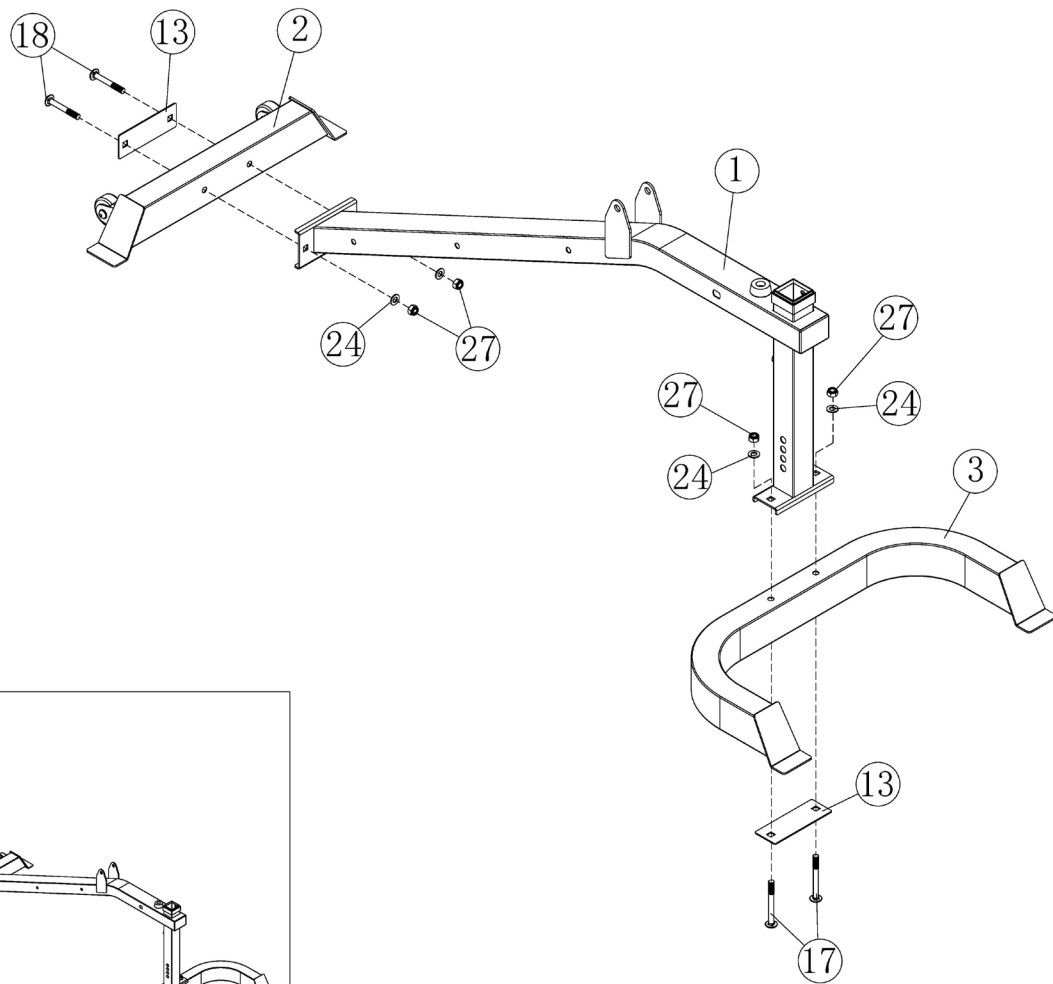
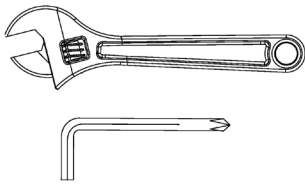
㉚×4






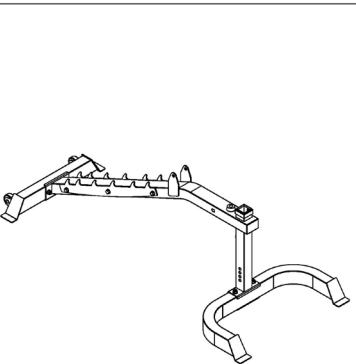
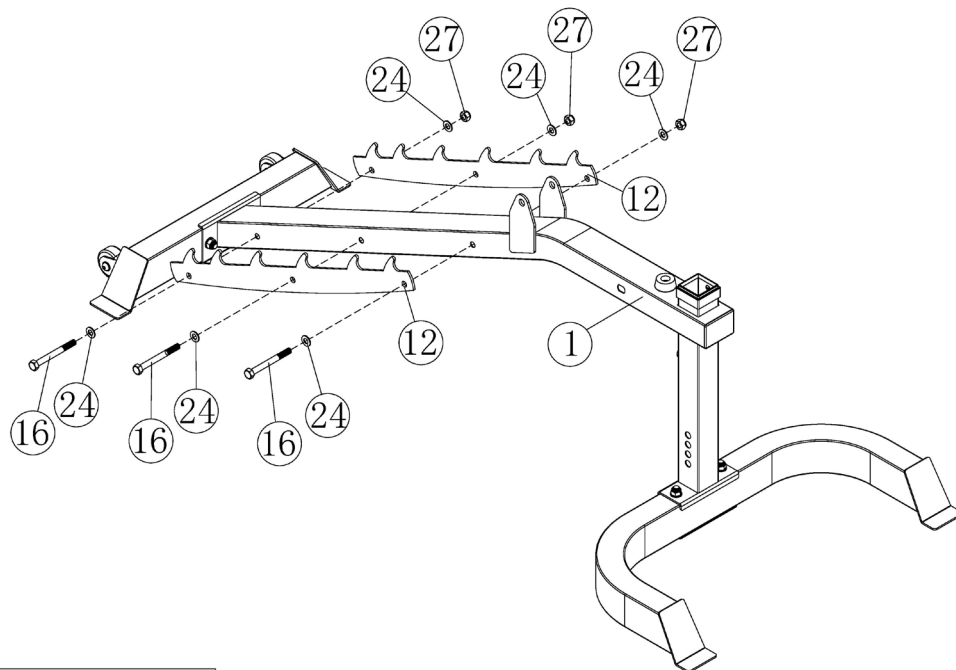
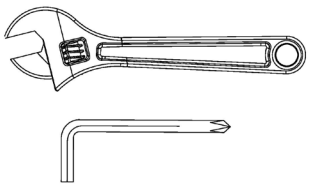
①⑦  2 M10×3 1/2" ①⑧  2 M10×2 3/4"

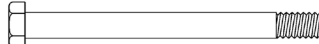


②④  4 Ø 3/4"

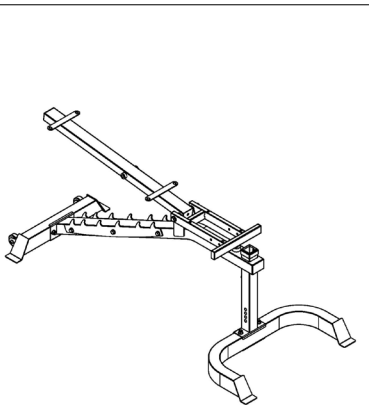
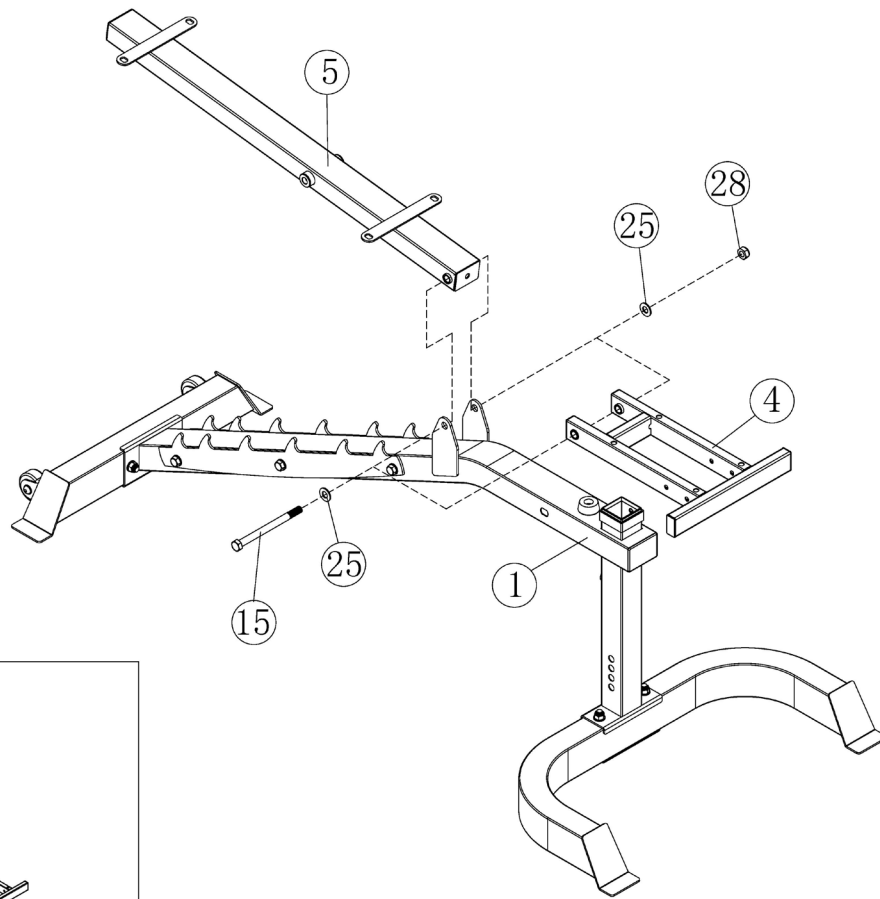
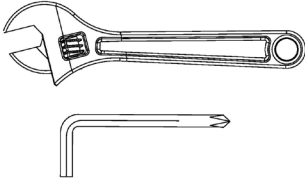
②⑦  4 M10







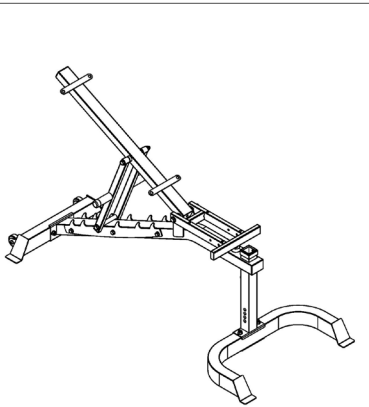
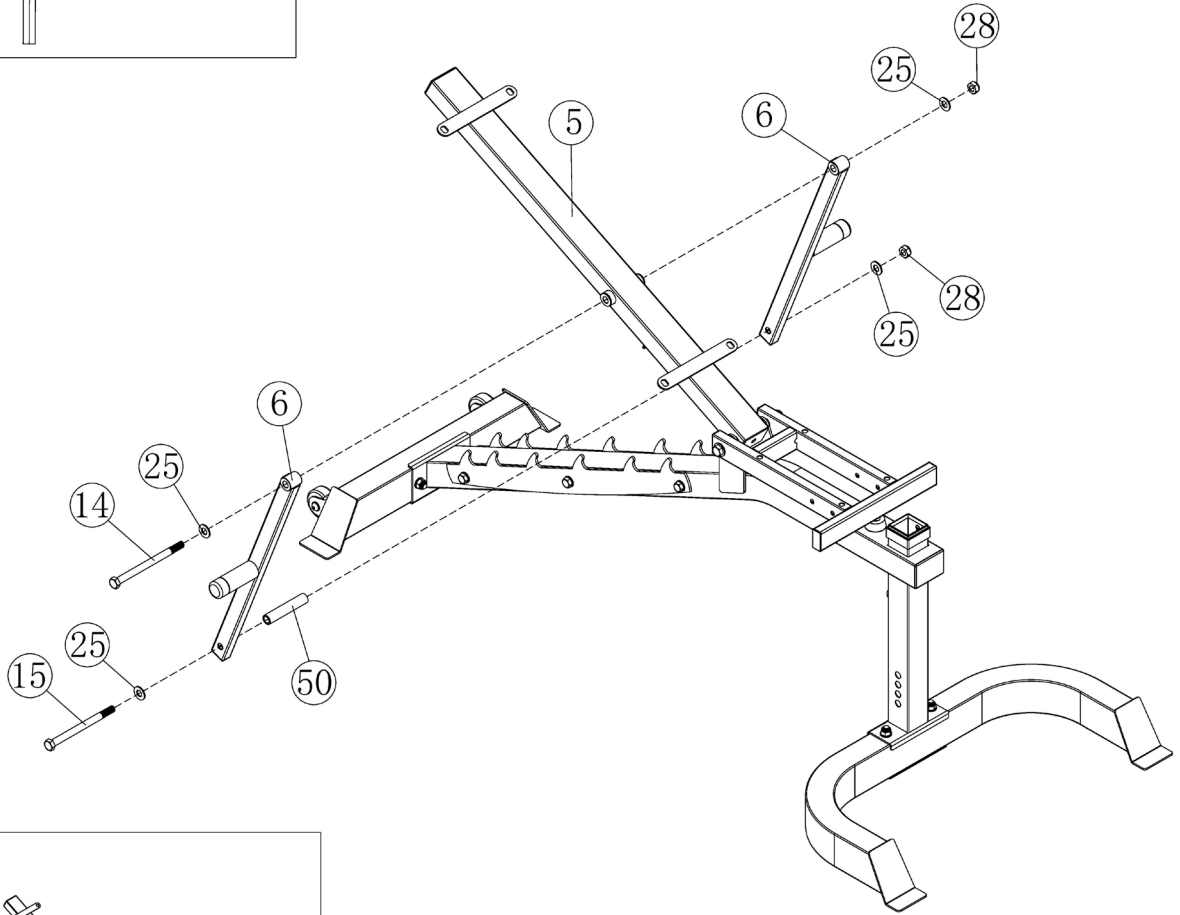
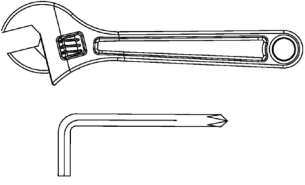
①6		3	M10 × 3 3/4"
②4		6	Ø 3/4"
②7		3	M10

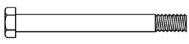



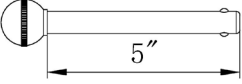


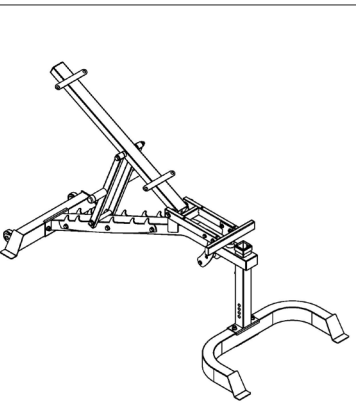
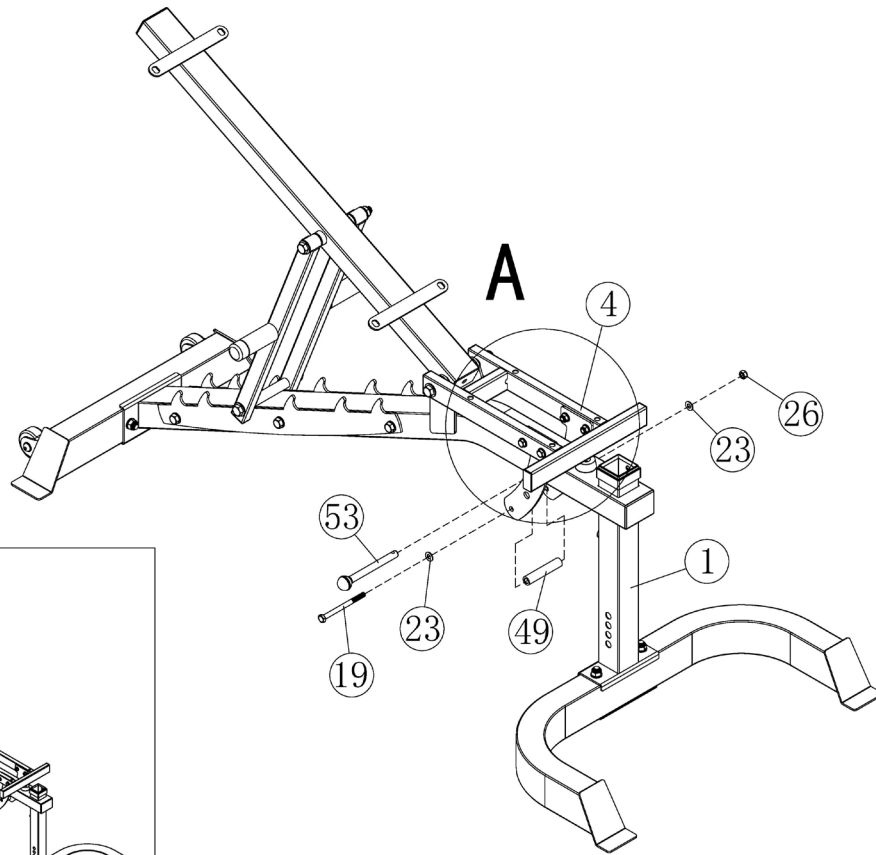
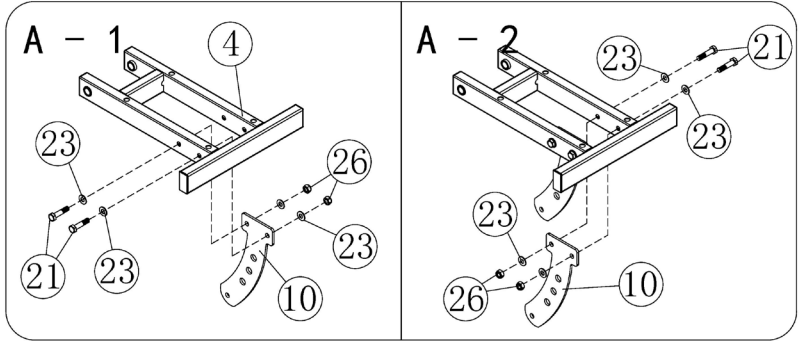
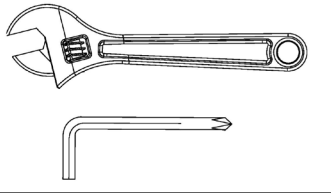
⑮		1	M12 × 6"
⑳		2	Ø 1"
㉘		1	M12



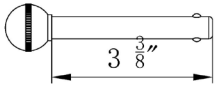
⑭		1	M12 × 6 1/4"				
⑮		1	M12 × 6"				
⑳		4	Ø 1"	㉘		2	M12



- | | | | | | | | |
|----|---|----|-------------|----|---|---|-------------|
| ①9 |  | 1 | M8 × 4" | ②1 |  | 4 | M8 × 1 3/8" |
| ②3 |  | 10 | Ø 1/2" | ②6 |  | 5 | M8 |
| ⑤3 |  | 1 | Ø 1/2" × 5" | | | | |

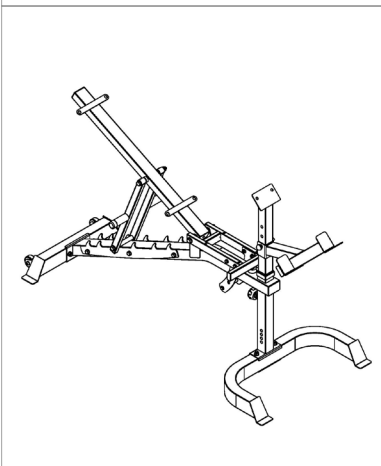
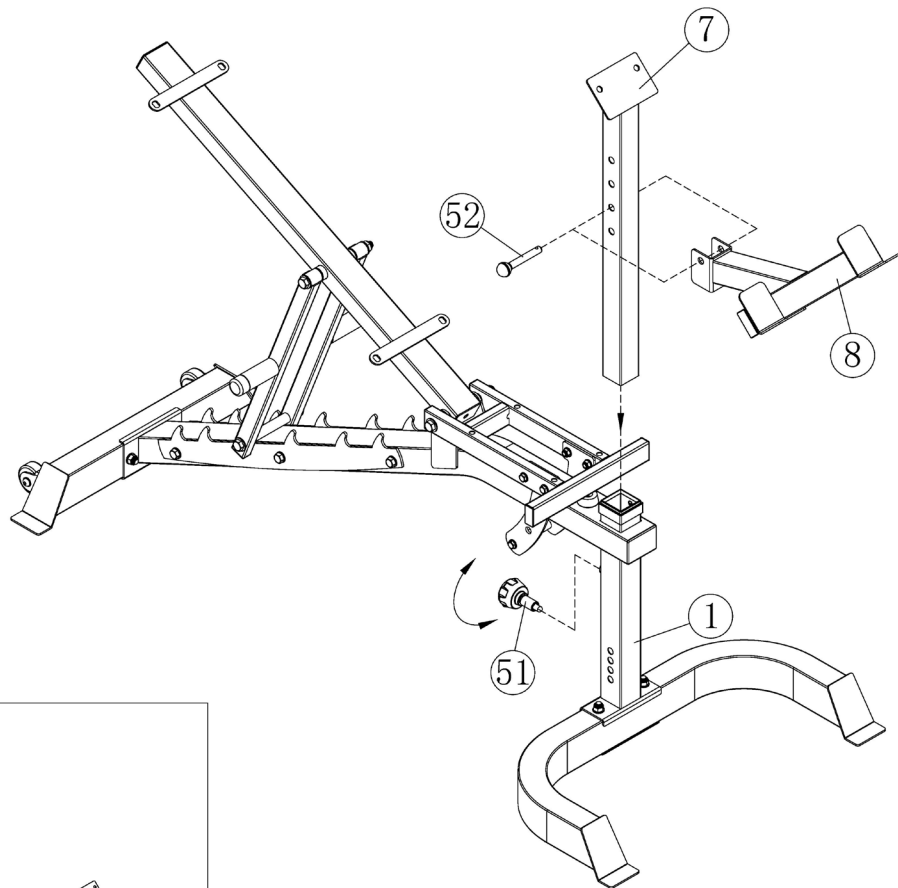


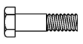
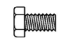

52

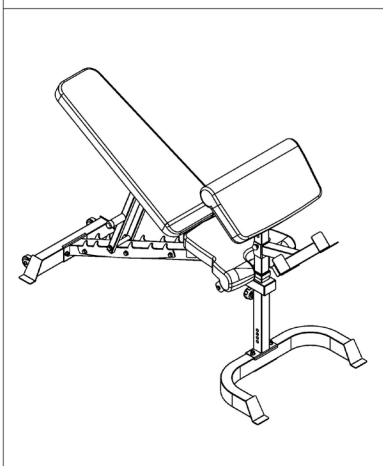
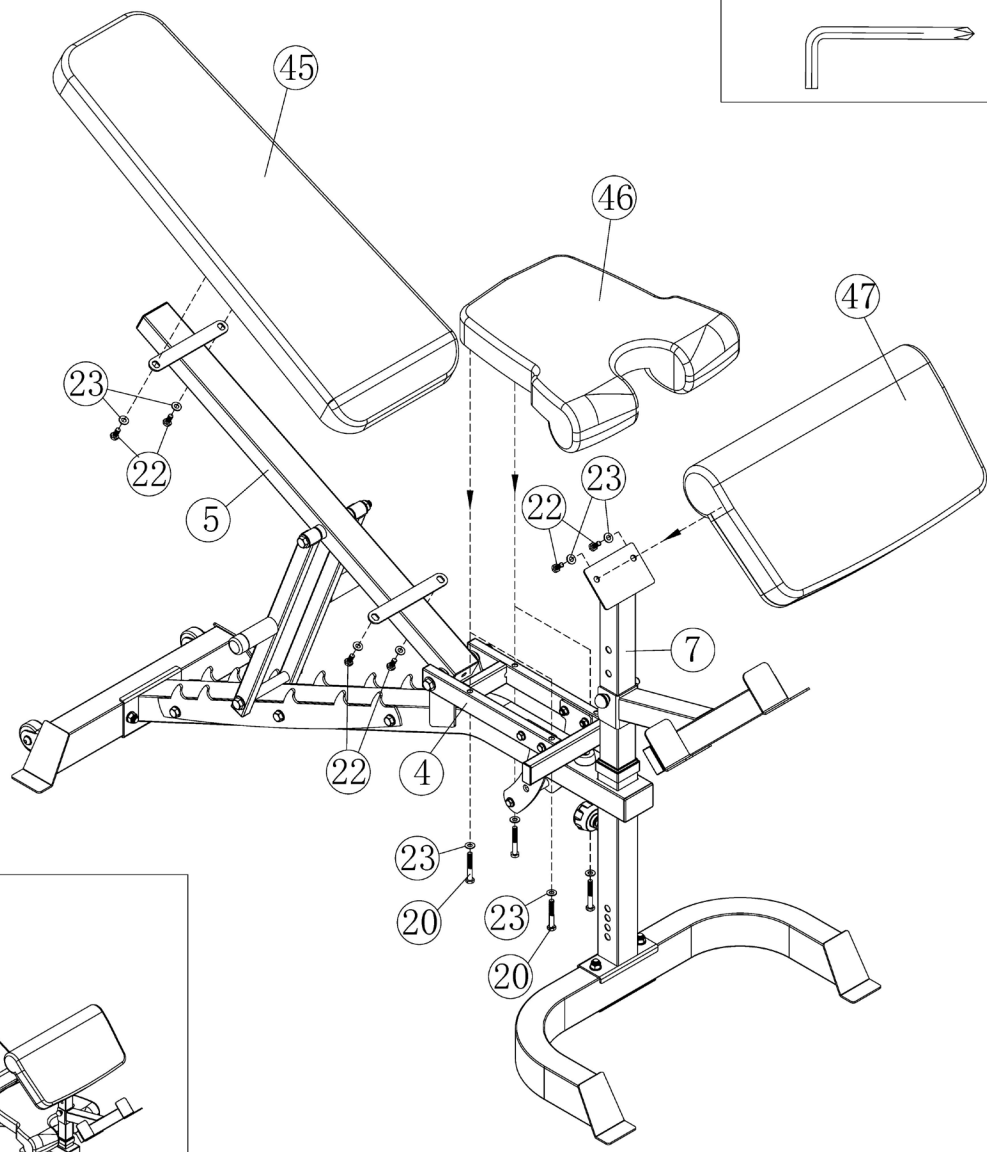
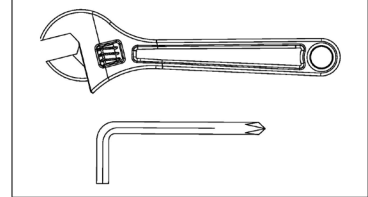


1

$\frac{1}{2}$ " \times $3 \frac{3}{8}$ "



②0		4	M8 × 2 1/8"
②2		6	M8 × 3/4"
②3		10	Ø 1/2"



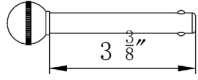
29



2

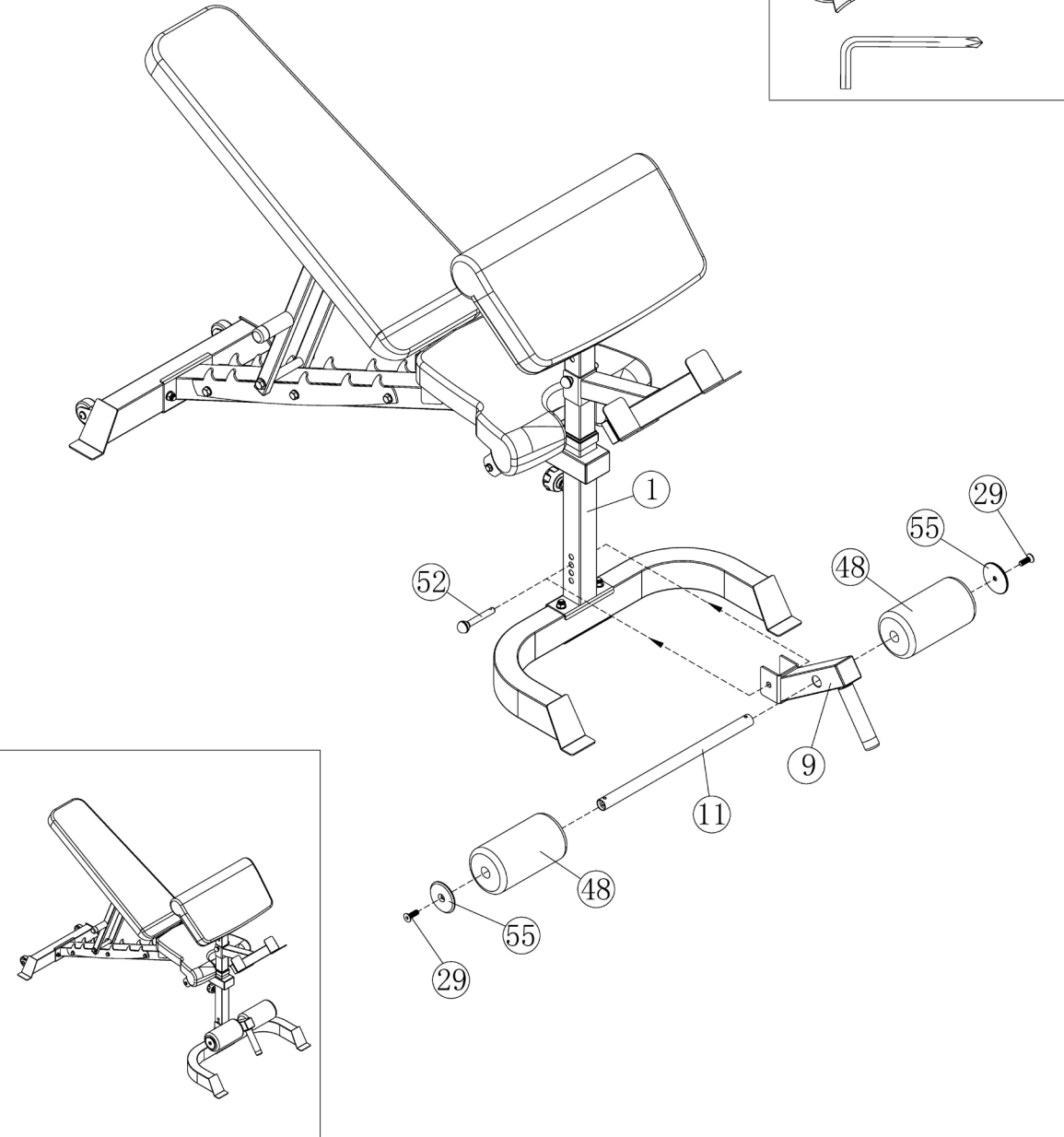
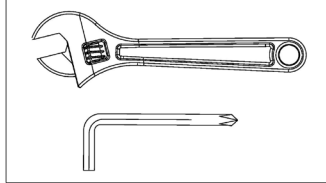
M10 × 1 1/8"

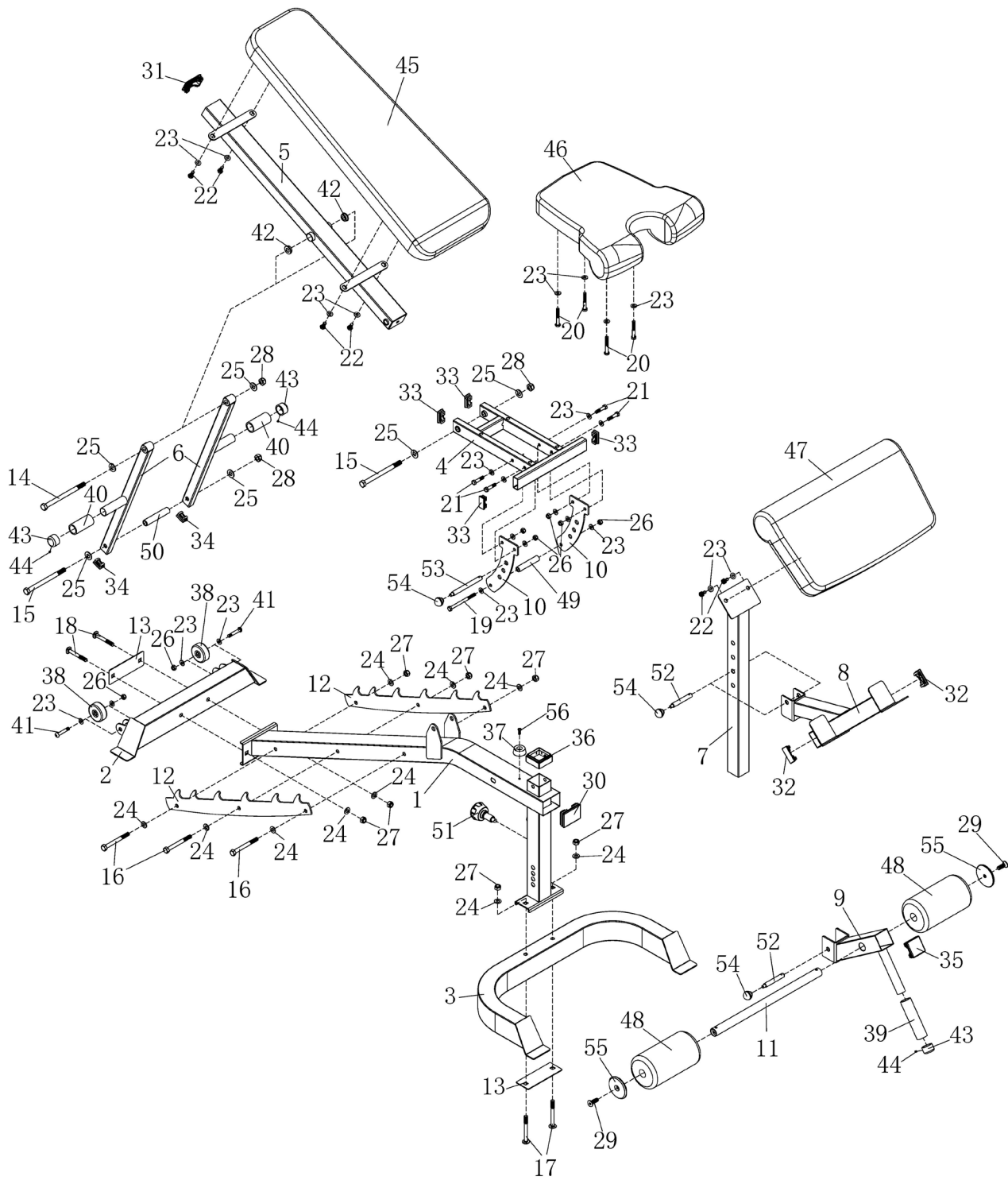
52



1

Ø 1/2" × 3 3/8"





IMPEX® INC.

2801 S. Towne Ave, Pomona, CA 91766

Tel: (800) 999-8899 Fax: (626) 961-9966

www.marcypro.com

support@impex-fitness.com